

ITEM NO.	PART NO.	DESCRIPTION	QTY.
1	B160	adapter, brass, 1/2" barb x 3/8" fsw, ball end	1
2	B173	ferrule, 1/2", brass	5
3	PH615-37	sol hose, 1/2", 3045psi, black	1
4	H212	flat washer, 9/16"ID x 1 1/16"OD, AN960-C916	3
5	B199	coupler, 1/2" fpt x 1/4" fpt	2
6	B644	barb, 1/2" barb x 1/4" mpt	1
7	PH615-9	sol hose, 1/2", 3045psi, black	1
8	C381	pump out, 3.3 gpm, 115v	1
9	H186	screw, 10-32 x 3/4, phil, flat, countersunk, s/s, black	12
10	H210	washer, 1/4" flat, s/s	28
11	H273	nut, kep, #10-32 zinc	22
12	H109	wheel, 10", foam filled	2
13	H042	c-clip, 12mm, external	2
14	H232	axle, 18.80" x .50"	1
15	P514	vent, side, LTD	2
16	H668	caster, 4", black hub & gray tread	2
17	H342	bolt, 1/4-20 x 1" hex head, s/s	8
18	H216	nut, lock, 1/4-20, nylon insert, s/s	14
19	B152	elbow, brass, 90 deg, 1/4" barb x 1/4" mpt	1
20	H044	bracket, regulator, panel mount	1
21	B127	plug, brass, 1/4"mpt, hex	1
22	C313C	regulator, 450 psi, silver spring	1
23	B103	elbow, 90 deg street, 1/4"mpt x 1/4" fpt	12
24	B107	nipple, hex, 1/4"mpt x 1/4"mpt	10
25	AH184	hose, 3/8" x 14-1/2" (OAL), f	3
26	PH634-23	sol hose, 1/4", silicone braided, clear	1
27	B170	ferrule, 1/4" brass	2
28	B110	adapter, brass, 1/4" sw barb x 1/4" fpt, w/gasket	4
29	H202	bolt, 1/4-20x3/4" hex head	4
30	B111	adapter, brass, extender, 1/4" mpt x 1/4" fpt, hex	1
31	B207	elbow, brass, 90 deg, 1/4" fpt x 1/4" fpt	2
32	B241	adapter, brass, 3/8" barb x 1/4"mpt	2
33	B135	tee, 1/4" mpt x 1/4" mpt x 1/4" mpt	2
34	PH615-8	sol hose, 1/2", silicone braided, clear	1
35	H254	washer, axle, cut 1/2" id	4
36	PH634-18	sol hose, 1/4", silicone braided, clear	1
37	B175	filter, cup, in-line, 1/2" barb x 1/2"	1
38	PH634-18	sol hose, 1/4", silicone braided, clear	1
39	B169	tee, 3/8" Street Tee, MPTxFPTxFPT	1
40	C342	pump, 500 PSI, pumpotec, 120V/230V	1
41	P511	LX series base	1
42	G165	cover, relay	1
43	E632	relay, shut-off switch, mechanical float, 115v	1
44	H486	latch, front, set, large	2
45	H230	screw, 10-32 x 1/2" phil pan head, s/s	20
46	G068	bumper, 7/8" x 1/4" head	2
47	E564	controller, circuit light, audible	1
48	E360	flanged male inlet recaptacle, 230V, 20A	2
49	B204	quick disconnect, 3/4" fm x 3/4" fm, garden hose	1
50	B205B	quick disconnect, 1/2" mpt x 3/4" maq, garden hose	1
51	B656A	valve, ball, 1/2" mpt x 1/2" fpt, s/s	1
52	H039	plate, auto fill/ pump out	1
53	B101	qd, brass, 1/4" m	1
54	H231	screw, 10-32 x 1" phil pan head, s/s	2
55	H528	bracket, heater mounting, dual	1
56	AH156	hose, 3/8" x 6.5", (OAL), f x fsw, 5400 Gray	1
57	E571	heating rod, 600W, 115V	1
58	E574	Thermostat, 310°F ± 10°F, Manual, 1/4"	2
59	H274	screw, #6 x 3/16, phil pan head, self-tapping	10
60	E573	Thermostat, 200°, Auto, 1/4"	2
61	E519	heating rod, 1000W, 115V	1
62	H903A	heater, aluminum cast, single	2
63	H325	flow meter, electric truckmount	1
64	G036	cap, 2.5" threaded, tethered	2
65	P535	bottle, 5 quart, w/ caps	1
66	H456B	cap (only) w/ hole	1

ITEM NO.	PART NO.	DESCRIPTION	QTY.
67	PH634-26	sol hose, 1/4", silicone braided, clear	1
68	B117	strainer, with check, chemical injector	1
69	B131	fitting, 1/4" barb x 1/8" FPT	2
70	H547	hanger, wire for injection sprayer	1
71	B143	street elbow, 90 degrees, 1/8"	2
72	B129	nipple, hex, 1/8" mpt x 1/8" mpt	2
73	G069	gasket, flow meter	1
74	PH634-18	sol hose, 1/4", silicone braided, clear	1
75	B130	45 deg, street elbow, brass, 1/4" male NPTF	1
76	B186	elbow, 90 deg street, 3/8"mpt x 3/8" fmpt	2
77	H299	washer, 11/16" id x 1-1/2" od x .075, s/s	9
78	B216	nipple, brass, 3/8" x close	2
79	B210	bushing, brass, 1/2"mpt x 3/8" fpt, hex	1
80	B119A	filter, strainer, 1/2" fpt	1
81	H201	bolt, 1/4-20 x 1/2", hex head, zinc	2
82	H213	washer, 1/4" lock, s/s	8
83	H378	bracket, front hinge, sp/fb	1
84	H204	bolt, 1/4-20 x 1 3/4" hex head, s/s	2
85	H485	handle, aluminum grip, black	1
86	G052	washer, buna 1-1/8" od x 3/16" id	2
87	H211	washer, 1/4" id x 1" od, flat, s/s	2
88	H768	bolt, 1/4-20 x 3/4" serrated hex flange, zinc	2
89	P509	LX series sol tank	1
90	H650	bolt, shoulder, 5/16" x 1-1/2" soc, s/s	1
91	P513	solution tank lid, LTD	1
92	H390A	bracket, "L", 2" x 2"	2
93	H770	bolt, 1/4-20 x 1/2" serrated hex flange, zinc	4
94	H124	Cuff-Lynx, 2" mpt x 2" female cuff	2
95	H484	plate, mounting, QD	1
96	B142A	coupling, brass, 1/4" fpt x 1/4" fpt	1
97	B656	valve, ball, 1/4" fpt x 1/4" fpt, s/s	1
98	B109	barb, 1/4" barb x 1/4" mpt	1
99	PH634-36	sol hose, 1/4", silicone braided, clear	1
100	B102	quick disconnect, 1/4" fqd x 1/4" fpt	1
101	AH203	hose, pulse, 3/8" x 34"	1
102	H541A	valve, float, autofill	1
103	B198	adapter, 3/4" fgh x 1/2" mpt, w/ gasket	1
104	B167	elbow, 90 deg street, 1/2" fpt x 1/2" mpt	1
105	B303	nipple, 3" long x 1/4" npt x 1/4" npt	3
106	B142	coupling, 1/4" fpt x 1/4" fpt	2
107	B105	bushing, brass, 3/8"mpt x 1/4"	1
108	B208	coupling, 3/8" fpt x 1/4" fpt	1
109	AH117	sol hose, 1/4" x 39", 1/4" fsw x 1/4" fpt	1
110	P512	LX series switchbox	1
111	E511	light, red, 250v	2
112	E516	switch, rocker, 3 position	1
113	AH120	sol hose, 28" x 1/4", 1/4 fpt	1
114	H308D	gauge, pressure, 2000 PSI	1
115	E515	switch, rocker, 2 position	4
116	H075	plate, switch, ltd3	1
117	H031	screw, plastite, 10 x 1"	2
118	H434	plug, vent, heyco, 1/2"	2
119	H135	Cuff-Lynx, 2" m cuff x 2" mpt	1
120	P510	LX series vac tank	1
121	H314	nut, lock, 1-1/2", steel	2
122	P520	adapter, 1.5" mpt pvc	2
123	PH633-1	pipe, pvc, 1-1/2"	2
124	H304	screw, #8 x 5/8 phil oval, s/s	6
125	G090	lid, vac tank, clear, 7"	1
126	G091	gasket, 7", vac lid	1
127	G003	filter, foam, 2", vac stack, 1/2"	2
128	G097	filter, screen mesh, 1.90" dia	2
129	E400	switch, mechanical float, for pumpout	2
130	H217	clamp, hose, 2-1/4 dia	6
131	PH633-6	pipe, pvc, 1-1/2"	2
132	P503	adapter, 1.5" pvc, 45 deg, flslp	4

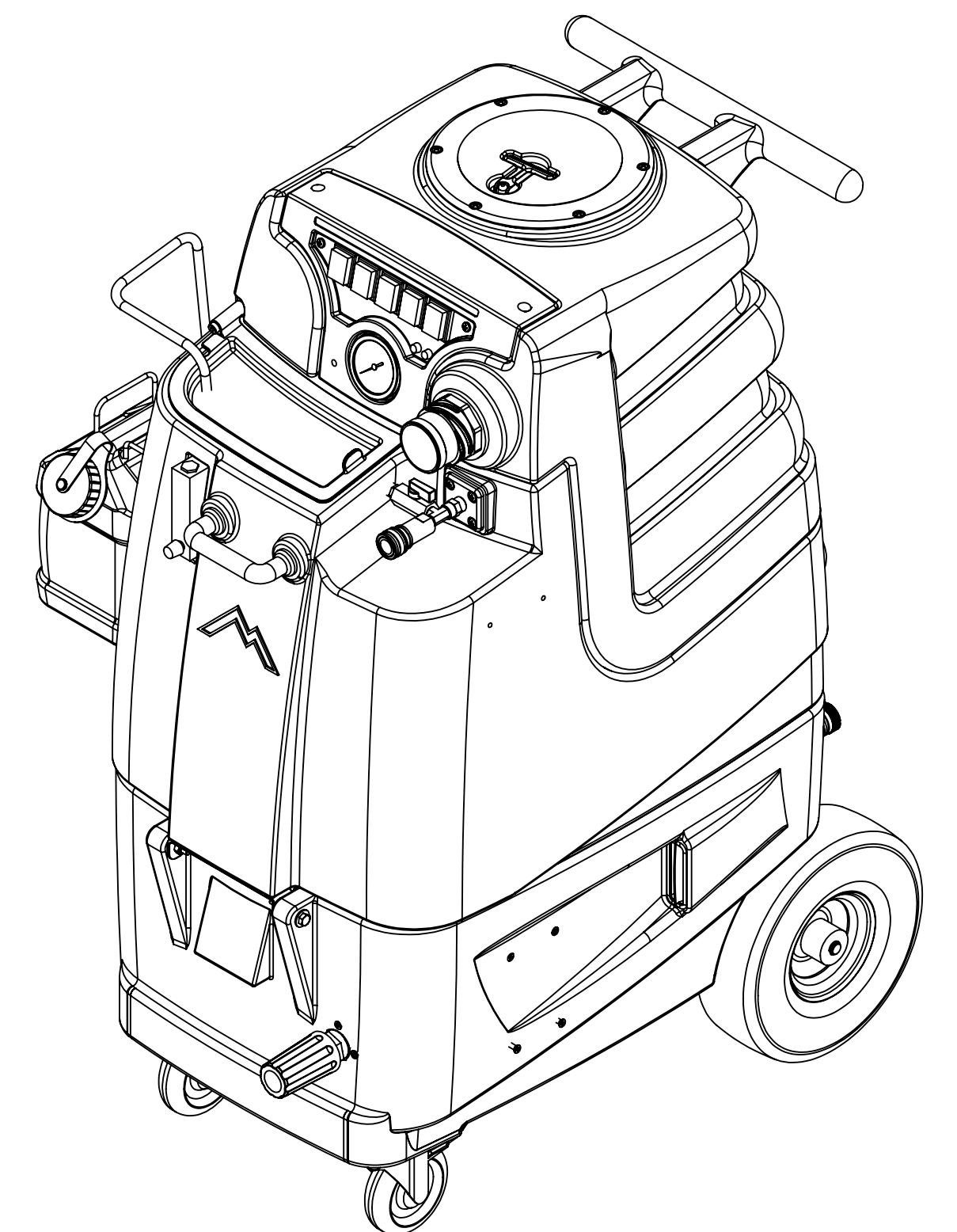
ITEM NO.	PART NO.	DESCRIPTION	QTY.
133	PH633-5	pipe, pvc, 1-1/2"	2
134	PH633-03	pipe, pvc, 1-1/2"	2
135	A926	elbow, inlet assembly 2"	1
136	H225	valve, drain, 1-1/2"	1
137	H503	vac support, 3 stage, 3.25", no thrds	6
138	G004	gasket, vacuum motor	2
139	PH628-7	vac hose, 2", black, wire reinforced	1
140	H194	coupler, 2" dia x 2.5" length, s/s	2
141	C302LA	vac motor, 3 stage, low amp	2
142	H096	bolt, hex, 1/4-20 x 4", zinc finish	6

ITEMS NOT SHOWN

PART NO.	DESCRIPTION	QTY
B102	qd, brass, 1/4" f x 1/4" fpt	1
B312	adapter, 3/4" fgh x 1/4" mpt, swivel	1
E354	harness, electrical	1
E531A	power cord, ext 50'	2
G008	piglet filter	1
G076	filter bag, 3.5" metal o-ring, mesh bag	1
H110	Cuff-Lynx, 2: hose x 2" fem swivel	1
H141	Cuff-Lynx, 2: x 1.5" reducer	1
H230	screw, 10-32 x 1/2" phil pan head, s/s	2
H375	hanger, wire formed, hose	1
P590	cuties, 1/4" qd, standard pack of 2	1

COMPONENT ASSEMBLIES

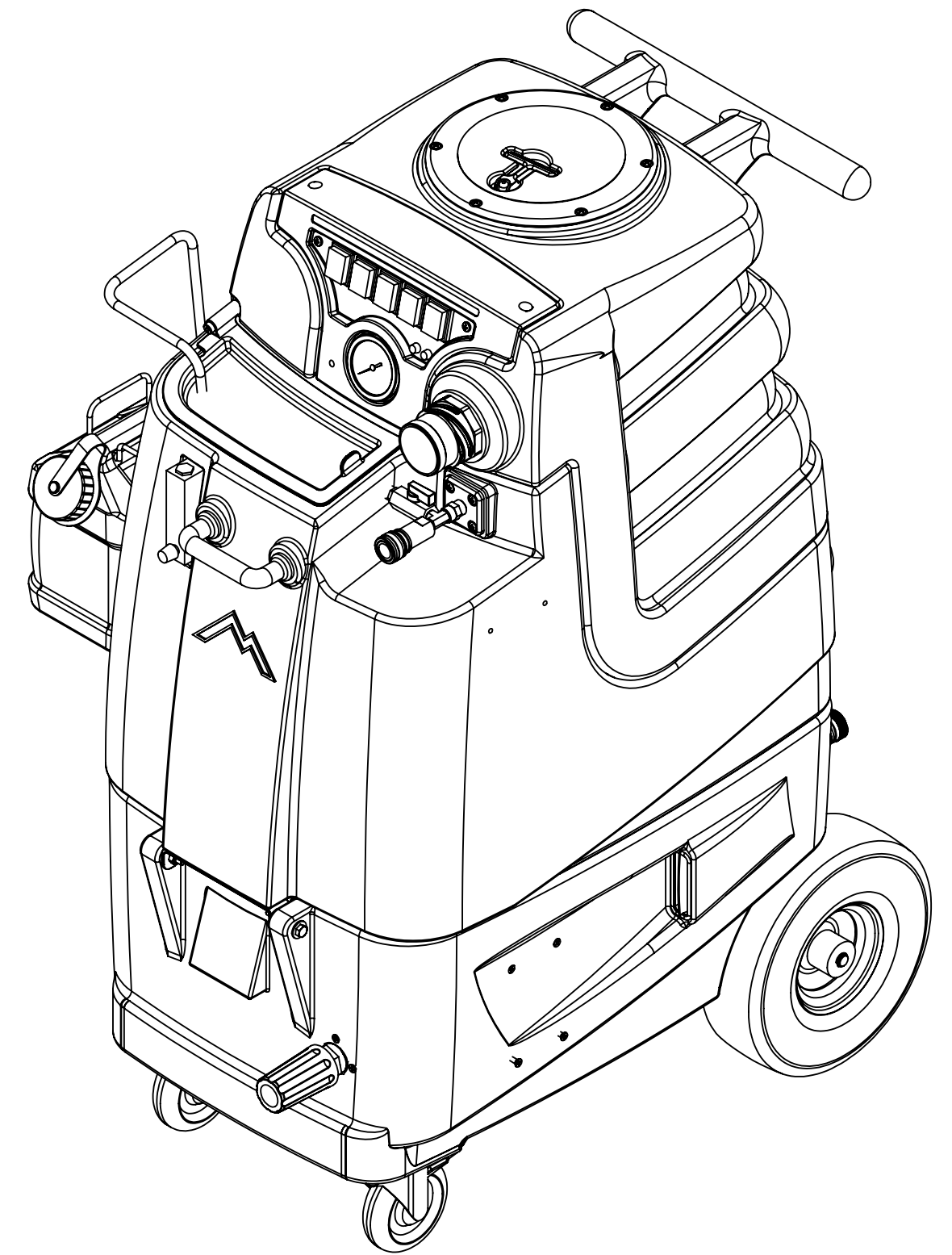
ITEM NO.	PART NO.	DESCRIPTION	QTY.
	A908	heater assembly, 1600w, 115v	1
57	E571	heating rod, 600W, 115V	1
58	E574	Thermostat, 310°F ± 10°F, Manual, 1/4"	2
60	E573	Thermostat, 200°, Auto, 1/4"	2
61	E519	heating rod, 1000W, 115V	1
62	H903A	heater, aluminum cast, single	2



NAME	DATE	MYTEE LLC 888-679-1191
DRAWN M.LaBarbera	10/2013	
CHECKED		TITLE: LTD3
<small>PROPRIETARY AND CONFIDENTIAL THE INFORMATION CONTAINED IN THIS DRAWING IS THE SOLE PROPERTY OF MYTEE LLC. ANY REPRODUCTION IN PART OR AS A WHOLE WITHOUT THE WRITTEN PERMISSION OF MYTEE LLC IS PROHIBITED.</small>		SIZE DWG. NO. LTD 3 REV N SCALE: 1:32 DO NOT SCALE DRAWING SHEET 1 OF 3

REVISIONS

REV.	DESCRIPTION	DATE	APPROVED
OD	ORIGINAL DRAFT	-	JFL
A	-	-	JFL
B	-	-	JFL
C	REPLACED VAC STACK	6/2013	JFL
D	REPLACED G003 W G022	8/2013	JFL
E	CAT PUMP: UPDATED PLUMBING	9/2013	JFL
F	REPLACED H033 W H342, ADDED H210 & H216	10/8/2013	JFL
G	G021 REPLACED W G097	10/28/2013	JFL
H	UPDATED ITEMS NOT SHOWN	1/13/2014	JFL
I	REPLACED H347 w FERRULE	3/7/2014	ML
J	HOSE UPDATES	5/13/2014	ML
K	REPLACED H219 W H042	8/8/2014	ML
L	UPDATED HOSES	10/1/2014	ML
M	REMOVED ELECTRICAL FLOAT	3/9/2016	ML
N	REMOVED CHEMICAL INJECTOR	10/19/2014	ML



	NAME	DATE	MYTEE 858-679-1191		
DRAWN	M.LaBarbera				
CHECKED			TITLE:		
COMMENTS:			LTD3		
PROPRIETARY AND CONFIDENTIAL <small>THE INFORMATION CONTAINED IN THIS DRAWING IS THE SOLE PROPERTY OF MYTEE LLC. ANY REPRODUCTION IN PART OR AS A WHOLE WITHOUT THE WRITTEN PERMISSION OF MYTEE LLC IS PROHIBITED.</small>			SIZE	DWG. NO.	REV
			C	LTD 3	N
SCALE: 1:32			DO NOT SCALE DRAWING	SHEET 3 OF 3	